



Today's schools rely on their networks for daily essential activities, from accessing online classroom materials and enabling real-time collaboration, to sending important notifications and supporting sudden spikes in demand from students and visitors. With a focus on keeping staff and students secure, our broad portfolio includes DDoS protected Dedicated Internet and Managed WiFi solutions designed to maximize the value of your E-Rate funding and provide secure and dependable connectivity.

### Telesystem Dedicated Internet

Dedicated Internet Access provides reliability and security that can greatly increase the productivity of your campus. Instead of a public connection delivered via Cable Modem or DSL, Dedicated Internet is exactly that; A direct connection (transported through Fiber, T1, T3 or Ethernet over Copper) that isn't shared with anyone else. That means the speed you pay for is the speed you will get, 100% of the time. Additionally, our DIA solution is backed by a Service Level Agreement which outlines the guaranteed network uptime, latency, packet loss, jitter, and repair time you should expect from your service.

### Enterprise Managed WiFi

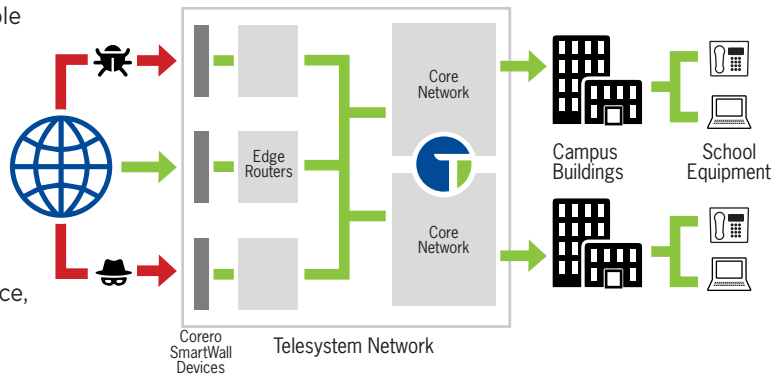
Telesystem designs, configures, installs, monitors and manages your secure wireless network, allowing you to focus more on your student and faculty needs. Our complete end-to-end WiFi service is managed remotely, providing 24x7x365 monitoring and maintenance of firewall, switches and Access Points (APs) to ensure full coverage and complete connectivity as well as maintaining network components with up-to-date firmware and patches. Our scalable guest WiFi access is independent from your main network with multiple SSIDs and a customizable splash page to accommodate large crowds, conferences and sporting events.

### Built-In DDoS Protection

As your front line of defense, Telesystem's network infrastructure includes built-in comprehensive DDoS threat protection capable of inspecting, detecting and defending in real-time, protecting your resources from malicious DDoS attacks.

Our network protection defends against phishing scams, ransomware, malware, cyber threats and other harmful traffic at our core.

Because we believe in the benefit of this service, our network protection is passed on to our customers at no additional charge. Backed by industry leading threat intelligence, you can be confident that our defense system is proactively improving your security.



## Telesystem DDoS Protected Network

- Embedded DDoS Protection at the edge of our Network
- Always on service with reputation watch to block known malicious IP addresses
- Unwanted and excessive traffic bans
- Blocks intrusion attacks and validates protocol for advanced evasion techniques
- Blocks bots, botnets, and advanced exploits
- Full deep-packet inspection and strange random request blocking
- Advanced Reporting and monitoring
- Hands on attack mitigation and support

### Get the Most Mileage from Your E-Rate Funds

Upgrade to fast, secure and scalable network solutions that qualify for federally funded E-Rate discounts, even under the FCC's modernized rules. As an approved E-Rate provider, our program experts work directly with your team to find every opportunity for savings and enable new strategies across your learning environment.

- Cost-effective and superior connectivity within classrooms and across multiple sites.
- Faster communications about events, emergencies and student records.
- Improved support for online, mobile and collaborative learning initiatives.
- Upgradeability to keep your systems current and aligned with your requirements.
- Customizable options for both dedicated internet access and enterprise managed Wi-Fi.